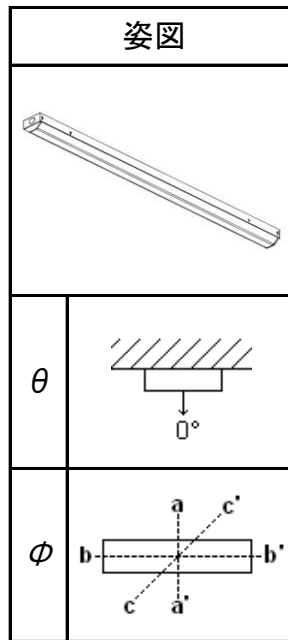


| | | |
|------------------|--|-----------|
| 名称 | プレミアムタイプ 40形 直付トラフ85幅 Hf32形高出力2灯相当 5,000K | |
| 型番 | EM9P1208T-N2D50-xxx-1 | |
| 光源 | 型番 | - |
| | 全光束 | - [lm] - |
| 保守率 (40,000h) | 良い | 0.83 |
| | 普通 | 0.80 |
| | 悪い | 0.76 |
| 効率 | 上半球 | 1.4 [%] |
| | 下半球 | 98.6 [%] |
| | 全方向 | 100.0 [%] |
| 器具光束 | 7,110 [lm] | |



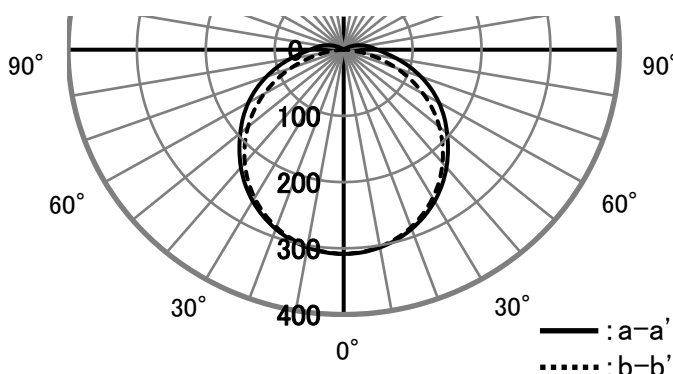
◎配光特性 [cd/1,000lm]

| θ | ϕ | a-a' | b-b' | c-c' |
|----------|--------|------|------|------|
| 0° | | 308 | 308 | 308 |
| 10° | | 303 | 302 | 303 |
| 20° | | 288 | 285 | 286 |
| 30° | | 264 | 258 | 261 |
| 40° | | 232 | 223 | 227 |
| 50° | | 196 | 181 | 187 |
| 60° | | 160 | 133 | 145 |
| 70° | | 119 | 82 | 103 |
| 80° | | 79 | 31 | 62 |
| 90° | | 48 | 0 | 32 |
| 100° | | 33 | 0 | 18 |
| 110° | | 19 | 0 | 7 |
| 120° | | 7 | 0 | 0 |
| 130° | | 0 | 0 | 0 |
| 140° | | 0 | 0 | 0 |
| 150° | | 0 | 0 | 0 |
| 160° | | 0 | 0 | 0 |
| 170° | | 0 | 0 | 0 |
| 180° | | 0 | 0 | 0 |

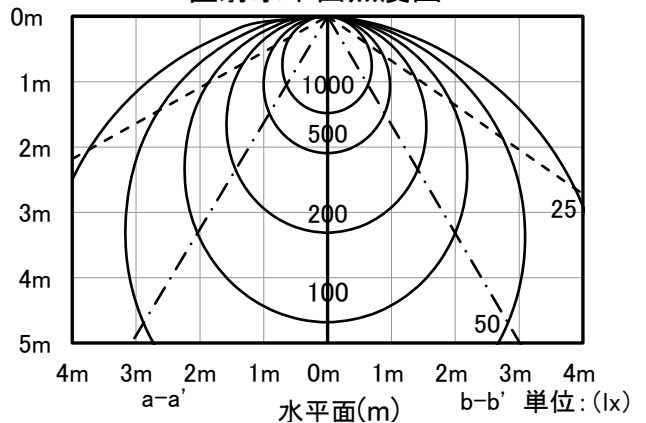
照明率表

| 反射率 (%) | 天井 | | 80 | | | | | | 70 | | | | | | 50 | | | | 30 | | 20 | 0 |
|---------|-------------|-----|-----|-----|-----|----|-----|-----|-----|----|-----|----|-----|----|-----|----|----|----|----|----|-----|---|
| | 壁 | 床 | 70 | | 50 | | 30 | | 70 | | 50 | | 30 | | 50 | | 30 | | 30 | 10 | 0 | 0 |
| | | | 30 | 10 | 30 | 10 | 30 | 10 | 30 | 10 | 30 | 10 | 30 | 10 | 30 | 10 | 30 | 10 | 30 | 10 | 10 | 0 |
| 室指数 | 照明率 (×0.01) | | | | | | | | | | | | | | | | | | | | 初期値 | |
| 0.6 | 60 | 56 | 46 | 43 | 37 | 36 | 58 | 54 | 45 | 43 | 36 | 35 | 43 | 41 | 35 | 34 | 34 | 34 | 34 | 29 | 27 | |
| 0.8 | 71 | 65 | 56 | 53 | 46 | 44 | 69 | 63 | 55 | 52 | 46 | 44 | 52 | 50 | 44 | 43 | 43 | 42 | 42 | 37 | 34 | |
| 1 | 79 | 71 | 64 | 60 | 55 | 52 | 76 | 69 | 63 | 59 | 54 | 51 | 60 | 57 | 52 | 50 | 50 | 49 | 44 | 41 | 41 | |
| 1.25 | 87 | 77 | 73 | 67 | 63 | 59 | 83 | 75 | 71 | 66 | 62 | 58 | 67 | 63 | 59 | 57 | 57 | 55 | 50 | 48 | 48 | |
| 1.5 | 92 | 81 | 79 | 72 | 70 | 65 | 89 | 79 | 77 | 71 | 68 | 64 | 73 | 68 | 65 | 62 | 62 | 60 | 56 | 53 | 53 | |
| 2 | 101 | 87 | 89 | 80 | 80 | 73 | 97 | 85 | 86 | 78 | 78 | 72 | 81 | 75 | 74 | 70 | 71 | 68 | 64 | 61 | 61 | |
| 2.5 | 106 | 91 | 96 | 85 | 88 | 79 | 101 | 89 | 93 | 83 | 85 | 78 | 87 | 80 | 81 | 76 | 77 | 74 | 69 | 67 | 67 | |
| 3 | 109 | 94 | 101 | 88 | 93 | 83 | 105 | 92 | 97 | 86 | 90 | 82 | 91 | 83 | 85 | 80 | 81 | 77 | 73 | 71 | 71 | |
| 4 | 114 | 97 | 107 | 92 | 100 | 88 | 109 | 95 | 103 | 91 | 97 | 87 | 96 | 88 | 91 | 84 | 86 | 82 | 79 | 76 | 76 | |
| 5 | 117 | 99 | 111 | 95 | 105 | 92 | 112 | 97 | 107 | 94 | 102 | 90 | 99 | 90 | 95 | 88 | 89 | 85 | 82 | 79 | 79 | |
| 10 | 123 | 103 | 120 | 101 | 116 | 99 | 118 | 101 | 115 | 99 | 112 | 97 | 106 | 96 | 104 | 94 | 97 | 92 | 89 | 86 | 86 | |

配光曲線 (cd/1000[lm])



高さ(m) 直射水平面照度図 初期値



| | | |
|------|--------------|------|
| 123° | 1/2ビーム角--- | 112° |
| 63° | 1/2照度角 - - - | 62° |